

PH Series (Glass Fiber reinforced PPS)

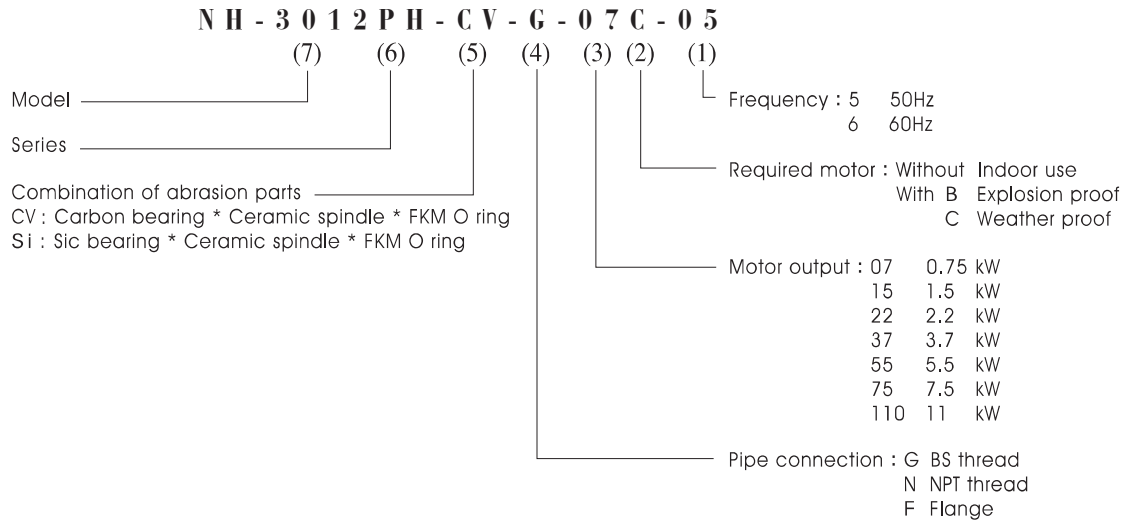
1.5-11kW, Max spec.point: T.D.H. 70m at 540 L/min

Single Stage And Multi Stage Compact Magnetic Driven Pump

- Pumps available up to 2 stages.
- Precision injection parts.
- Flow rate up to 540 L/min and discharge head to 70m.
- Suitable for P.C.B. machine, Filtration, Etching Machine.
- Applicable IEC motor IEC 1.5kW to 11kw (Also NEMA-C face motor is available).
- Can handle most chemicals up to 90°C.
- Available in BS thread, NPT thread and flange.



Type indication



Specification table

Model	Pipe connection	Pump performance		motor kW at L/min discharge flow	Applicable motor, kW		
	Outlet x inlet (mm)	Specified point m at L/min	Max. point M-L/min		S.G. 1.0	S.G. 1.3	S.G. 1.5
NH-3012PH	25 x 40	20 at 100	26 - 180	at 100 L/min	1.5	1.5	2.2
NH-3013PH		30 at 100	36 - 180		2.2	2.2	3.7
NH-3024PH		40 at 100	51 - 180		3.7	3.7	5.5
NH-3026PH		60 at 100	70 - 180		3.7	5.5	5.5
NH-4012PH	40 x 50	20 at 220	25 - 360	at 220 L/min	2.2	3.7	5.5
NH-4013PH		30 at 220	34 - 360		3.7	5.5	7.5
NH-4024PH		40 at 220	49 - 360		5.5	7.5	11
NH-4026PH		60 at 220	68 - 360		7.5	11	11
NH-5012PH	50 x 65	20 at 450	24 - 540	at 450 L/min	3.7	5.5	7.5
NH-5013PH		30 at 450	33 - 540		5.5	7.5	11
NH-5024PH		40 at 450	48 - 540		7.5	11	11

PH Series

Pump performance curve

Nominal speed : 2,860 / 3,440 r.p.m.

