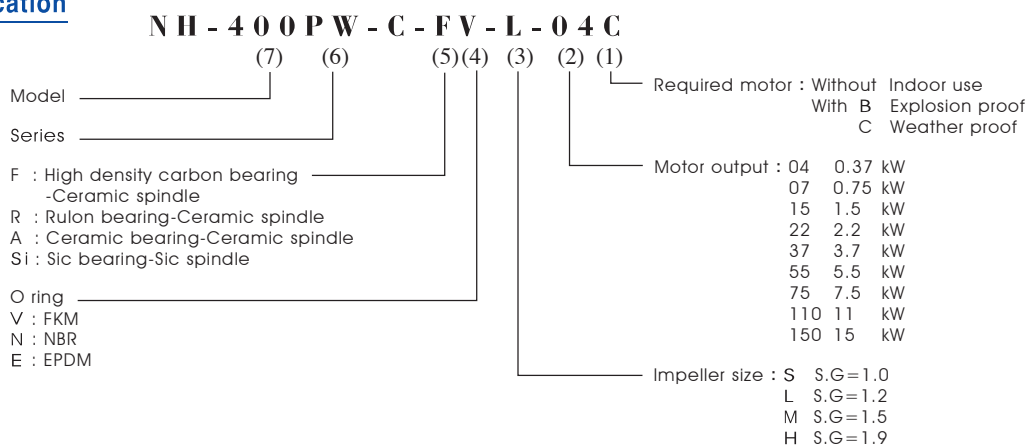


PW-C Series (ETFE-Lined Metal Profile) Heavy Duty Magnetic Drive Pumps For The Chemical Industry



- ETFE-lined pumps in cast iron exterior and Hastelloy C rear casing cover as reinforcement.
- Robust construction.
- 11 models with flow rates up to 1500 lit/min and discharge head of 42m.
- Can handle practically most chemicals and temperature up to 90°C.
- Adaptable to IEC Standard motor, 0.37 to 15 kW.
- Available in flange connections.

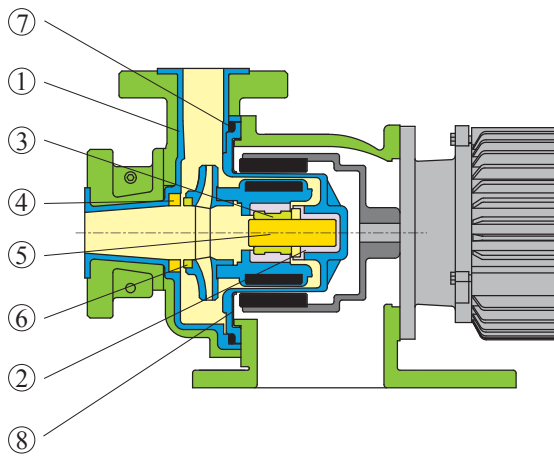
Type indication



Specification table

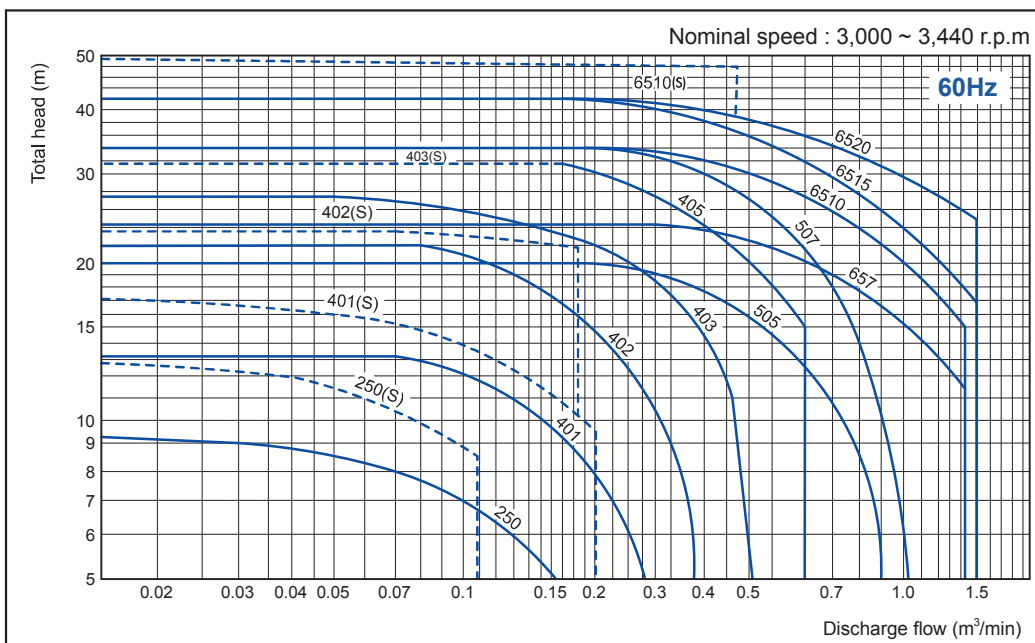
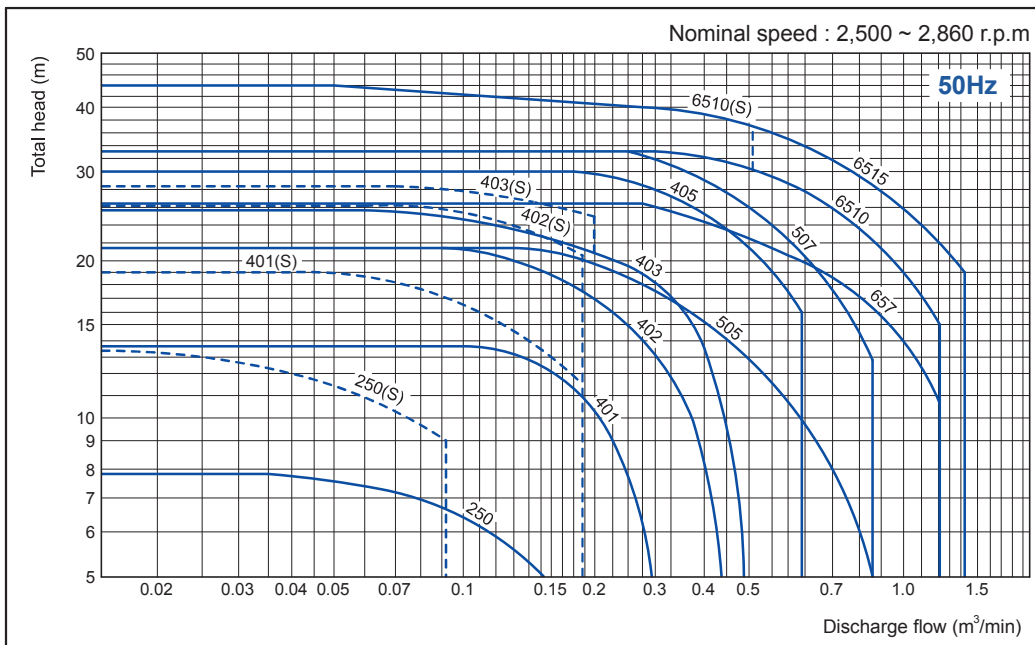
Type	Flange size		Pump performance at specified point (M at L/Min)			Motor output (kW)	Net weight (Kg)
	Outlet(mm)	Inlet(mm)	Specific Gravity	50Hz	60Hz		
NH-250 PW-C	25	25	1.2	7.0 - 135	6.0 - 145	0.37	30
			1.5	5.8 - 140	5.5 - 135		
			1.9	4.7 - 115	3.9 - 115		
NH-401 PW-C	40	40	1.2	9.3 - 200	9.5 - 180	0.75	40
			1.5	7.6 - 190	8.7 - 160		
			1.9	6.4 - 170	6.2 - 140		
NH-402 PW-C	40	50	1.2	16.0 - 260	13.1 - 260	1.5	50
			1.5	14.0 - 260	13.2 - 260		
			1.9	11.0 - 240	10.9 - 220		
NH-403 PW-C	40	50	1.2	18.0 - 320	17.4 - 320	2.2	58
			1.5	15.0 - 300	13.8 - 320		
			1.9	13.5 - 260	14.5 - 260		
NH-405 PW-C	40	50	1.2	25.0 - 380	23.0 - 400	3.7	72
			1.5	22.5 - 350	20.3 - 350		
			1.9	20.0 - 290	15.2 - 400		
NH-505 PW-C	50	65	1.2	16.7 - 550	16.2 - 560	3.7	80
			1.5	13.0 - 450	13.0 - 390		
			1.9	10.0 - 400	11.7 - 360		
NH-507 PW-C	50	65	1.2	25.7 - 550	27.1 - 500	5.5	112
			1.5	17.3 - 450	15.1 - 500		
			1.9	14.4 - 400	13.7 - 400		
NH-657 PW-C	50	80	1.2	19.2 - 800	20.4 - 800	5.5	124
			1.5	15.4 - 650	14.6 - 700		
			1.9	12.5 - 550	10.8 - 600		
NH-6510PW-C	50	80	1.2	24.7 - 950	25.0 - 950	7.5	149
			1.5	20.0 - 800	19.5 - 720		
			1.9	17.0 - 710	15.7 - 710		
NH-6515PW-C	50	80	1.2	32.0 - 1100	28.8 - 900	11	185
			1.5	24.5 - 900	25.0 - 900		
			1.9	19.8 - 800	20.5 - 800		
NH-6520PW-C	50	80	1.2	---	39.0 - 1050	15	185
			1.5	---	24.0 - 1100		
			1.9	---	24.0 - 950		

PW-C Series Parts List



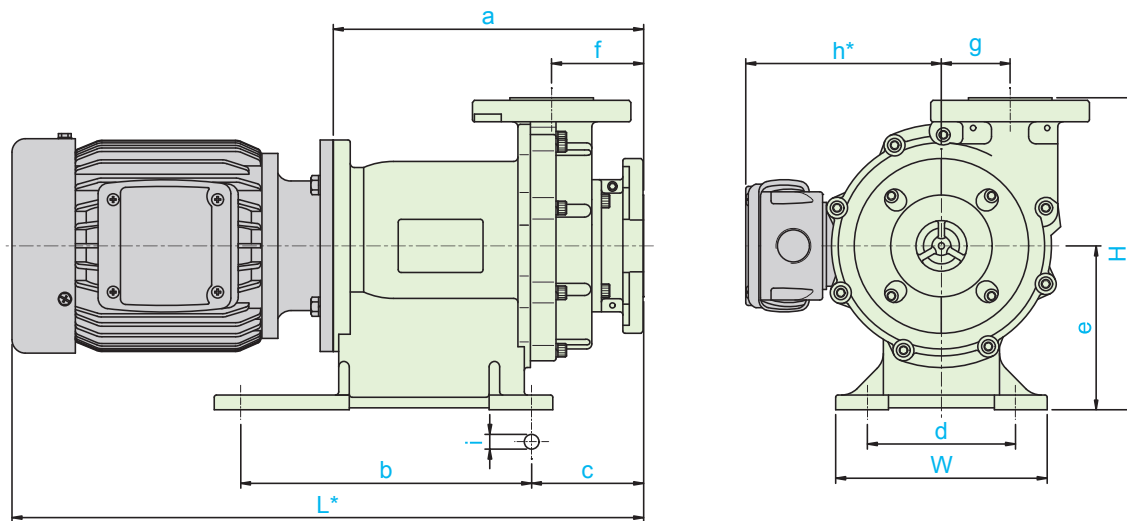
Part name	PW-C Series			
	FV	RV	AV	Si
1. Casing	Carbon fiber reinforced tetra fluorethylene			
2. Holder	Carbon fiber reinforced tetra fluorethylene			
3. Bearing	H.D. Carbon	Rulon	Ceramic	SiC ceramic
4. Thrust ring	High purity Ceramic			
5. Spindle	High purity Ceramic			
6. Mouth ring	PTFE based resin			
7. O ring	FKM			
8. Cover	Grey cast iron			

PW-C series performance curve



PW-C Series

Installation dimension



Dimensions in mm

Model	W	H	L*	a	b	c	d	e	f	g	h*	i
250PW-C	155	237	474	234	146	95	110	115	88	51	151	14
401PW-C	195	275	492	260	250	111	130	135	104.5	57.5	160	14
402PW-C	200	295	606	291	275	106	140	155	87	65	176	14
403PW-C	200	295	606	291	275	106	140	155	87	65	176	14
405PW-C	200	295	675.5	312.5	275	106	140	155	87	65	208	14
505PW-C	260	325	712	349	305	130	210	175	110	62	208	14
507PW-C	260	325	734	369	305	130	210	175	110	62	252	14
657PW-C	280	360	743	378	320	193	220	175	118	0	252	14
6510PW-C	280	360	743	378	320	193	220	175	118	0	252	14
6515PW-C	350	385	918	408	320	193	300	200	118	0	285	14
6520PW-C	350	385	918	408	320	193	300	200	118	0	285	14

Remarks:

1. JIS, ISO, NEMA or explosion motor is available.
2. Over all size & part construction will be changed without notice.
3. NH-657, 6510, 6515, 6520 are top centre discharge.
4. * Depending on type of motor used.