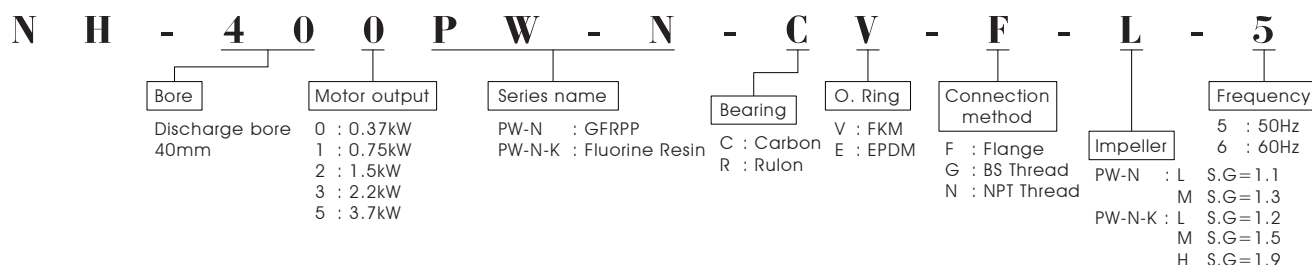


PW-N Series (Glass-fiber reinforced PP) PW-N-K Series (Fluorine Resin) Self-Priming Magnetic Drive Pump



- Precision injection part, glass-fiber reinforced PP or Fluorine Resin.
- Advanced design with gas and liquid separated construction.
- Heavy duty, Reliability.
- Available in 10 models with max flow rate of 600 lit/min.
- Max suction lift head up to 4 m.
- Adaptable with world wide motor as standard and pipe connection.

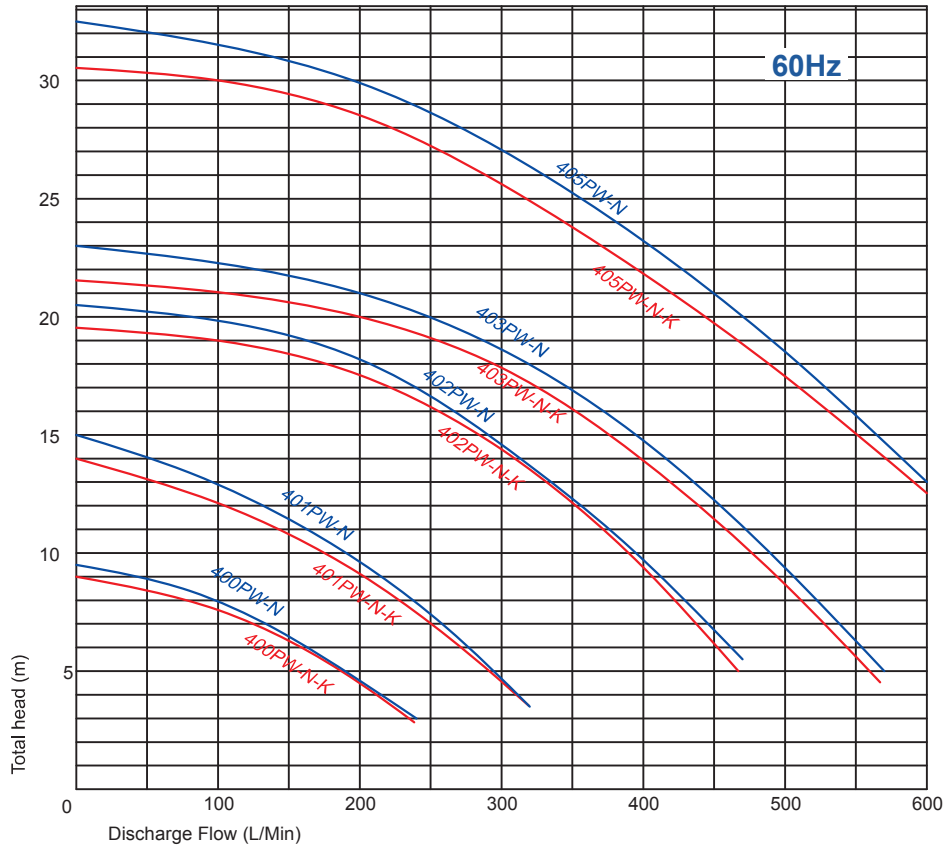
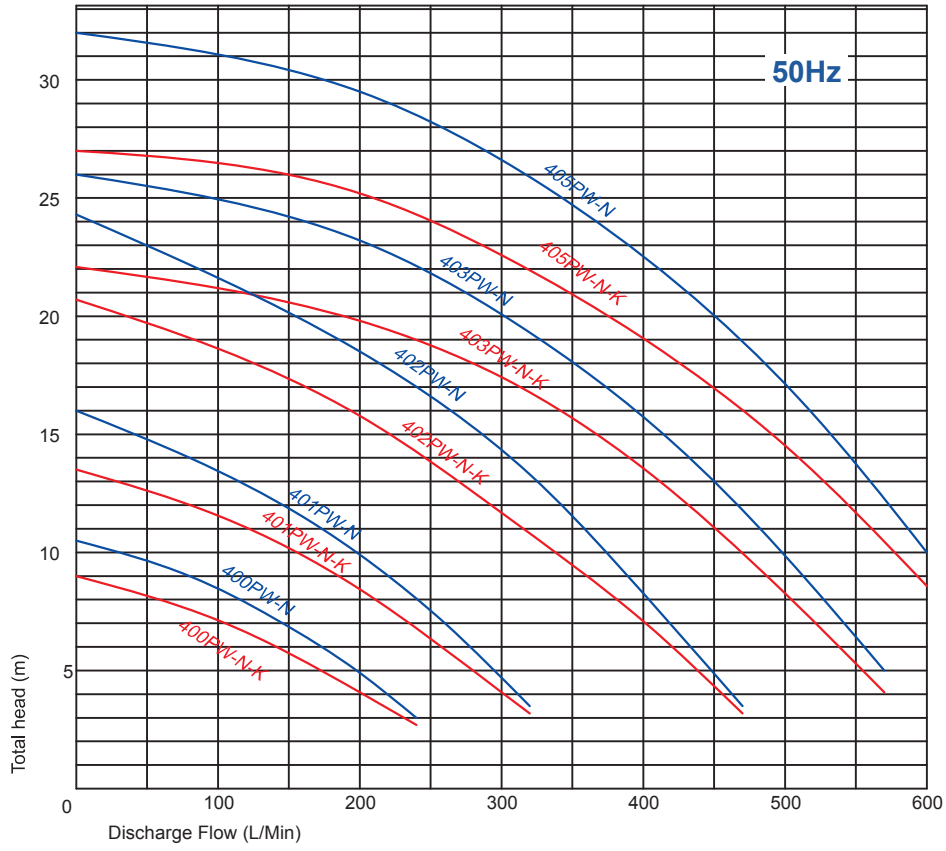
Type Indication



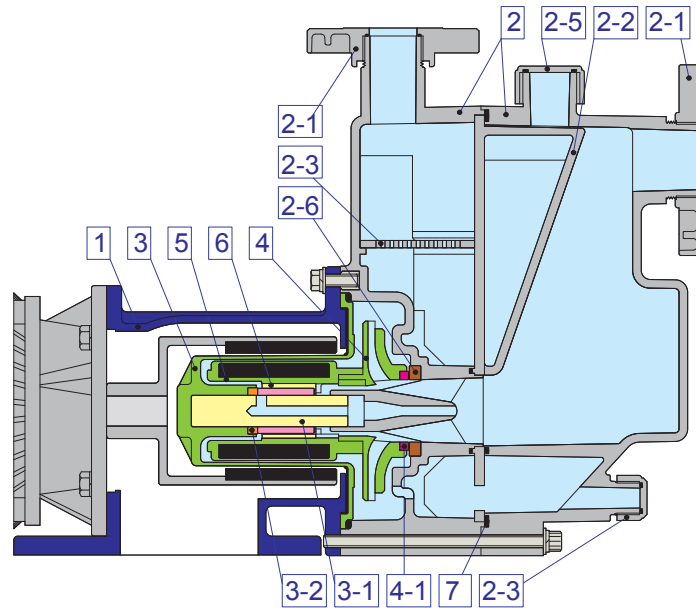
Specification table

Model	Connection Method		S.G	Performance , 50/60Hz		Max Self Priming Lift head at(m)	Motor kW 2860/3440
	Flange (mm) In x Outlet	B. Thread (") In x Outlet		Capacity-discharge head at specified point (l/min at m)	Max capacity - max discharge (L/Min - m)		
NH-400PW-N	40 x 40	1 1/2" x 1 1/2"	1.1	140 at 7 / 140 at 6	240-10.5 / 240-9.5	3	0.37
			1.3	160 at 5 / 120 at 6	200-8.5 / 200-8.5		
NH-401PW-N	40 x 40	1 1/2" x 1 1/2"	1.1	200 at 10 / 200 at 8	320-16 / 320-15	3.3	0.75
			1.3	160 at 10 / 160 at 9	290-14 / 290-12.5		
NH-402PW-N	50 x 40	2" x 1 1/2"	1.1	250 at 16 / 250 at 16	470-24.5 / 470-20.5	4	1.5
			1.3	265 at 14 / 265 at 13	450-22 / 450-19		
NH-403PW-N	50 x 40	2" x 1 1/2"	1.1	280 at 21 / 290 at 19	570-26 / 570-23	4	2.2
			1.3	240 at 18 / 240 at 18	550-23 / 550-21		
NH-405PW-N	50 x 40	2" x 1 1/2"	1.1	330 at 25 / 330 at 26	600-32 / 600-32.5	4	3.7
			1.3	330 at 25 / 320 at 23	600-32 / 570-31		
NH-400PW-N-K	40 x 40	1 1/2" x 1 1/2"	1.2	140 at 6.5 / 140 at 6	240-10 / 240-9	3	0.37
			1.5	140 at 5.5 / 140 at 5.5	240-8.5 / 240-7.5		
			1.9	140 at 5 / 120 at 5.5	240-7.5 / 240-6.5		
NH-401PW-N-K	40 x 40	1 1/2" x 1 1/2"	1.2	170 at 10.5 / 180 at 10	320-15 / 320-14	3.3	0.75
			1.5	160 at 9.5 / 190 at 8	320-13 / 320-12		
			1.9	160 at 8 / 220 at 6.5	320-11 / 320-10.5		
NH-402PW-N-K	50 x 40	2" x 1 1/2"	1.2	210 at 17 / 200 at 17.5	470-23 / 470-19.5	4	1.5
			1.5	250 at 13.5 / 230 at 13	470-20 / 470-16.5		
			1.9	230 at 12 / 270 at 11.5	470-20 / 470-14		
NH-403PW-N-K	50 x 40	2" x 1 1/2"	1.2	360 at 17 / 360 at 16	570-24.5 / 570-21.5	4	2.2
			1.5	340 at 15 / 380 at 13	570-21 / 570-18.5		
			1.9	360 at 12.5 / 340 at 12	570-18 / 570-16		
NH-405PW-N-K	50 x 40	2" x 1 1/2"	1.2	330 at 24 / 330 at 24.5	600-30 / 600-30.5	4	3.7
			1.5	380 at 19 / 330 at 21	600-26 / 600-26.5		
			1.9	360 at 17 / 330 at 18	600-22 / 600-22.5		

PW-N Series
PW-N-K Series
Pump performance curve

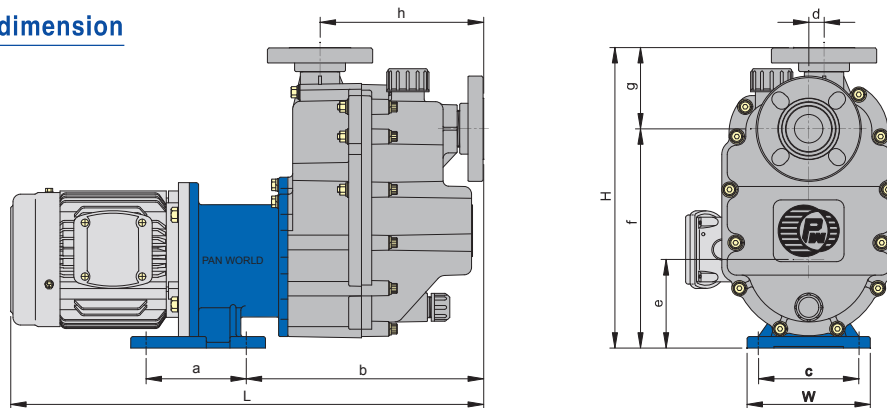


PW-N Series
PW-N-K Series
Parts List



Model	NH-400/401/402/403/405PW-N		NH-400/401/402/403/405PW-N-K			
	CV	CE	RV	CV	RE	CE
Name of part						
1. Bracket	FC-20		FC-20			
2. Self-priming chambers						
2-1. Flange	GFRPP		Fluorine Resin			
2-2. Telescopic piece						
2-3. Filter						
2-4. Drain cap						
2-5. Filler cap						
2-6. Thrust pad						
3. Rear casing	GFRPP		ETFE			
3-1. Spindle	99.5% Alumina ceramic		99.5% Alumina ceramic			
3-2. Rear thrust pad	99.5% Alumina ceramic		99.5% Alumina ceramic			
4. Impeller	GFRPP		ETFE			
4-1. Mouth ring	Rulon LD		Rulon LD			
5. Magnet capsule	GFRPP		ETFE			
6. Bearing	Carbon		Rulon LD			
7. Gasket	FKM	EPDM	FKM		EPDM	
8. O. Rings	FKM	EPDM	FKM		EPDM	

Installation dimension



Dimensions in mm

Model	W	H	L	a	b	c	d	e	f	g	h
NH-400PW-N / 400PW-N-K	160	390	613	130	308	130	20	115	285	105	212
NH-401PW-N / 401PW-N-K	160	390	615	130	308	130	20	115	285	105	212
NH-402PW-N / 402PW-N-K	260	420	794	200	333	208	30	115	315	105	250
NH-403PW-N / 403PW-N-K	260	420	794	200	333	208	30	115	315	105	250
NH-405PW-N / 405PW-N-K	260	435	866	200	333	208	30	130	330	105	250